

Фрезы со сменными твердосплавными пластинами
пазовые - регулируемые 8-16мм

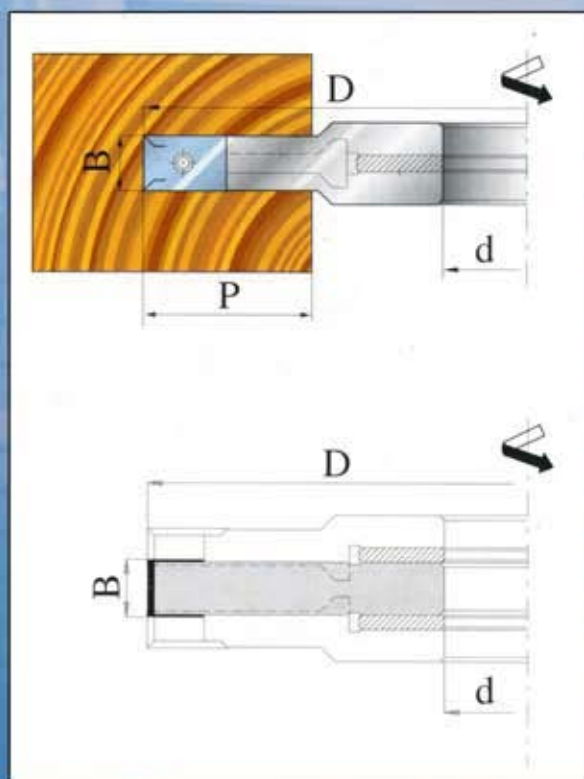
Patriot



| CODICE ARTICOLO | D mm | B mm | d mm | Z n | P mm |
|-----------------|------|------|-------|-----|------|
| TFM38.001 | 140 | 8+16 | 35/40 | 4+4 | 25 |
| TFM38.002 | 160 | 8+16 | 35/40 | 4+4 | 30 |
| TFM38.003 | 200 | 8+16 | 35/40 | 4+4 | 45 |
| TFM38.004 | 250 | 8+16 | 35/40 | 8+8 | 50 |

COMPONENTI AGGIUNTIVI

| CODICE ARTICOLO | D mm | B mm | d mm | Z n | |
|-----------------|------|------|-------|-----|--|
| TFM38.005 | 140 | 15 | 35/40 | 2 | |
| TFM38.006 | 160 | 15 | 35/40 | 2 | |
| TFM38.007 | 200 | 15 | 35/40 | 2 | |
| TFM38.008 | 250 | 15 | 35/40 | 2 | |



Фрезы со сменными твердосплавными пластинами
пазовые - регулируемые 12-24мм

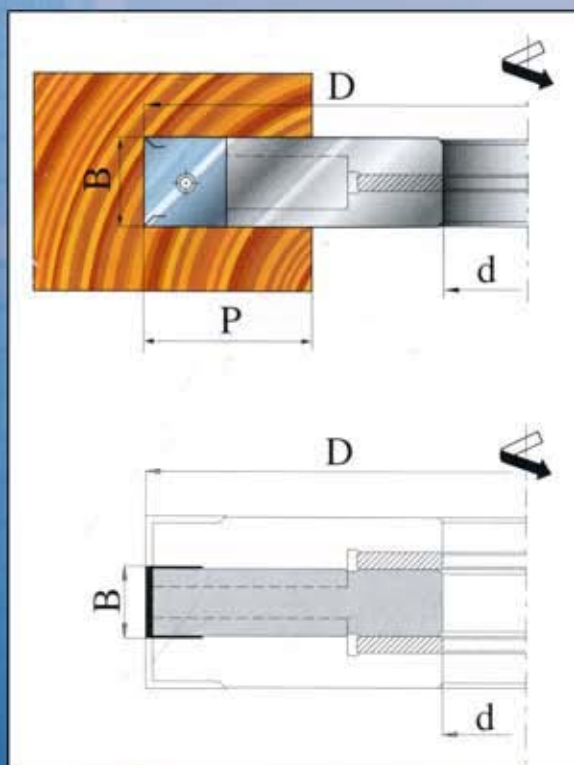
Patriot



| CODICE ARTICOLO | D mm | B mm | d mm | Z n | P mm |
|-----------------|------|-------|-------|-----|------|
| TFM40.001 | 140 | 15+30 | 35/40 | 4+4 | 25 |
| TFM40.002 | 160 | 15+30 | 35/40 | 4+4 | 30 |
| TFM40.003 | 200 | 15+30 | 35/40 | 4+4 | 30 |
| TFM40.004 | 250 | 15+30 | 35/40 | 8+8 | 45 |
| TFM40.005 | 300 | 15+30 | 35/40 | 8+8 | 65 |

COMPONENTI AGGIUNTIVI

| CODICE ARTICOLO | D mm | B mm | d mm | Z n | |
|-----------------|------|------|-------|-----|--|
| TFM40.006 | 140 | 15 | 35/40 | 2 | |
| TFM40.007 | 160 | 15 | 35/40 | 2 | |
| TFM40.008 | 200 | 15 | 35/40 | 2 | |
| TFM40.009 | 250 | 15 | 35/40 | 2 | |
| TFM40.010 | 300 | 15 | 35/40 | 2 | |



www.patriot.su

tel. (495) 9783181, 7788932; tel/fax. 8(49651)51953; email: info@patriot.su

Фрезы со сменными твердосплавными пластинами
пазовые - регулируемые 15-30мм

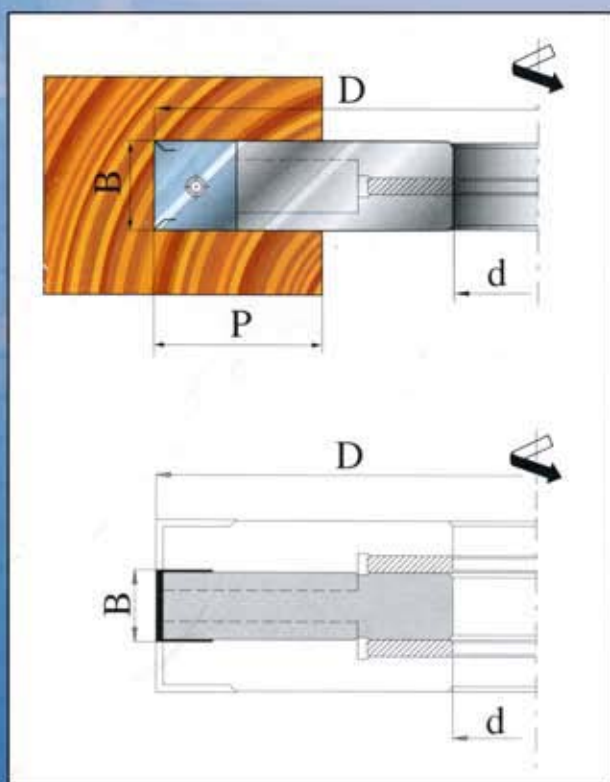
Patriot



| CODICE ARTICOLO | D mm | B mm | d mm | Z n | P mm |
|-----------------|------|-------|-------|-----|------|
| TFM40.001 | 140 | 15+30 | 35/40 | 4+4 | 25 |
| TFM40.002 | 160 | 15+30 | 35/40 | 4+4 | 30 |
| TFM40.003 | 200 | 15+30 | 35/40 | 4+4 | 30 |
| TFM40.004 | 250 | 15+30 | 35/40 | 8+8 | 45 |
| TFM40.005 | 300 | 15+30 | 35/40 | 8+8 | 65 |

COMPONENTI AGGIUNTIVI

| CODICE ARTICOLO | D mm | B mm | d mm | Z n |
|-----------------|------|------|-------|-----|
| TFM40.006 | 140 | 15 | 35/40 | 2 |
| TFM40.007 | 160 | 15 | 35/40 | 2 |
| TFM40.008 | 200 | 15 | 35/40 | 2 |
| TFM40.009 | 250 | 15 | 35/40 | 2 |
| TFM40.010 | 300 | 15 | 35/40 | 2 |



Фрезы со сменными твердосплавными пластинами
пазовые - регулируемые 20-40мм

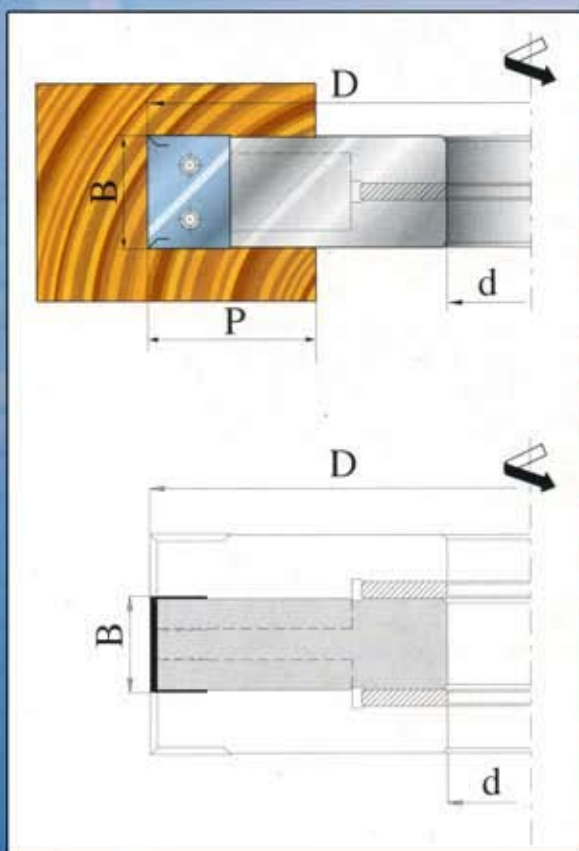
Patriot



| CODICE ARTICOLO | D mm | B mm | d mm | Z n | P mm |
|-----------------|------|-------|-------|-----|------|
| TFM41.001 | 140 | 20+40 | 35/40 | 4+4 | 25 |
| TFM41.002 | 160 | 20+40 | 35/40 | 4+4 | 30 |
| TFM41.003 | 200 | 20+40 | 35/40 | 4+4 | 30 |
| TFM41.004 | 250 | 20+40 | 35/40 | 8+8 | 45 |
| TFM41.005 | 300 | 20+40 | 35/40 | 8+8 | 65 |

COMPONENTI AGGIUNTIVI

| CODICE ARTICOLO | D mm | B mm | d mm | Z n | P mm |
|-----------------|------|------|-------|-----|------|
| TFM41.006 | 140 | 20 | 35/40 | 2 | |
| TFM41.007 | 160 | 20 | 35/40 | 2 | |
| TFM41.008 | 200 | 20 | 35/40 | 2 | |
| TFM41.009 | 250 | 20 | 35/40 | 2 | |
| TFM41.010 | 300 | 20 | 35/40 | 2 | |



tel. (495) 9783181, 7788932; tel/fax. 8(49651)51953; email: info@patriot.su

www.patriot.su

Фрезы со сменными твердосплавными пластинами
пазовые - регулируемые 30-60мм

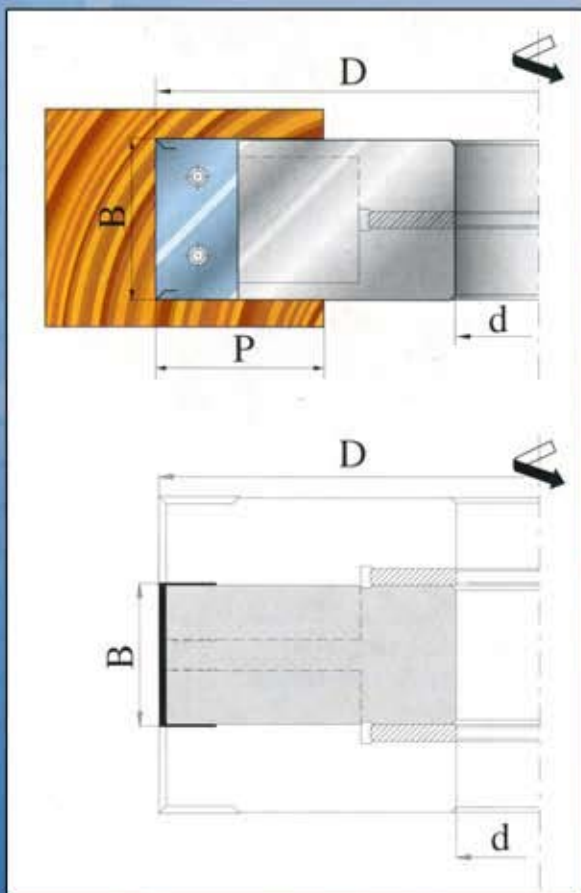
Patriot



| CODICE ARTICOLO | D mm | B mm | d mm | Z n | P mm |
|-----------------|------|-------|-------|-----|------|
| TFM42.001 | 140 | 30+60 | 35/40 | 4+4 | 25 |
| TFM42.002 | 160 | 30+60 | 35/40 | 4+4 | 30 |
| TFM42.003 | 200 | 30+60 | 35/40 | 4+4 | 30 |
| TFM42.004 | 250 | 30+60 | 35/40 | 8+8 | 45 |
| TFM42.005 | 300 | 30+60 | 35/40 | 8+8 | 65 |

COMPONENTI AGGIUNTIVI

| CODICE ARTICOLO | D mm | B mm | d mm | Z n | P mm |
|-----------------|------|------|-------|-----|------|
| TFM42.006 | 140 | 30 | 35/40 | 2 | |
| TFM42.007 | 160 | 30 | 35/40 | 2 | |
| TFM42.008 | 200 | 30 | 35/40 | 2 | |
| TFM42.009 | 250 | 30 | 35/40 | 2 | |
| TFM42.010 | 300 | 30 | 35/40 | 2 | |



Фрезы со сменными твердосплавными пластинами
пазовые - регулируемые 50-100мм

Patriot



| CODICE ARTICOLO | D mm | B mm | d mm | Z n | P mm |
|-----------------|------|--------|-------|-----|------|
| TFM43.001 | 140 | 50+100 | 35/40 | 4+4 | 25 |
| TFM43.002 | 160 | 50+100 | 35/40 | 4+4 | 30 |
| TFM43.003 | 200 | 50+100 | 35/40 | 4+4 | 30 |
| TFM43.004 | 250 | 50+100 | 35/40 | 8+8 | 45 |
| TFM43.005 | 300 | 50+100 | 35/40 | 8+8 | 65 |

COMPONENTI AGGIUNTIVI

| CODICE ARTICOLO | D mm | B mm | d mm | Z n | |
|-----------------|------|------|-------|-----|--|
| TFM43.006 | 140 | 50 | 35/40 | 2 | |
| TFM43.007 | 160 | 50 | 35/40 | 2 | |
| TFM43.008 | 200 | 50 | 35/40 | 2 | |
| TFM43.009 | 250 | 50 | 35/40 | 2 | |
| TFM43.010 | 300 | 50 | 35/40 | 2 | |

